

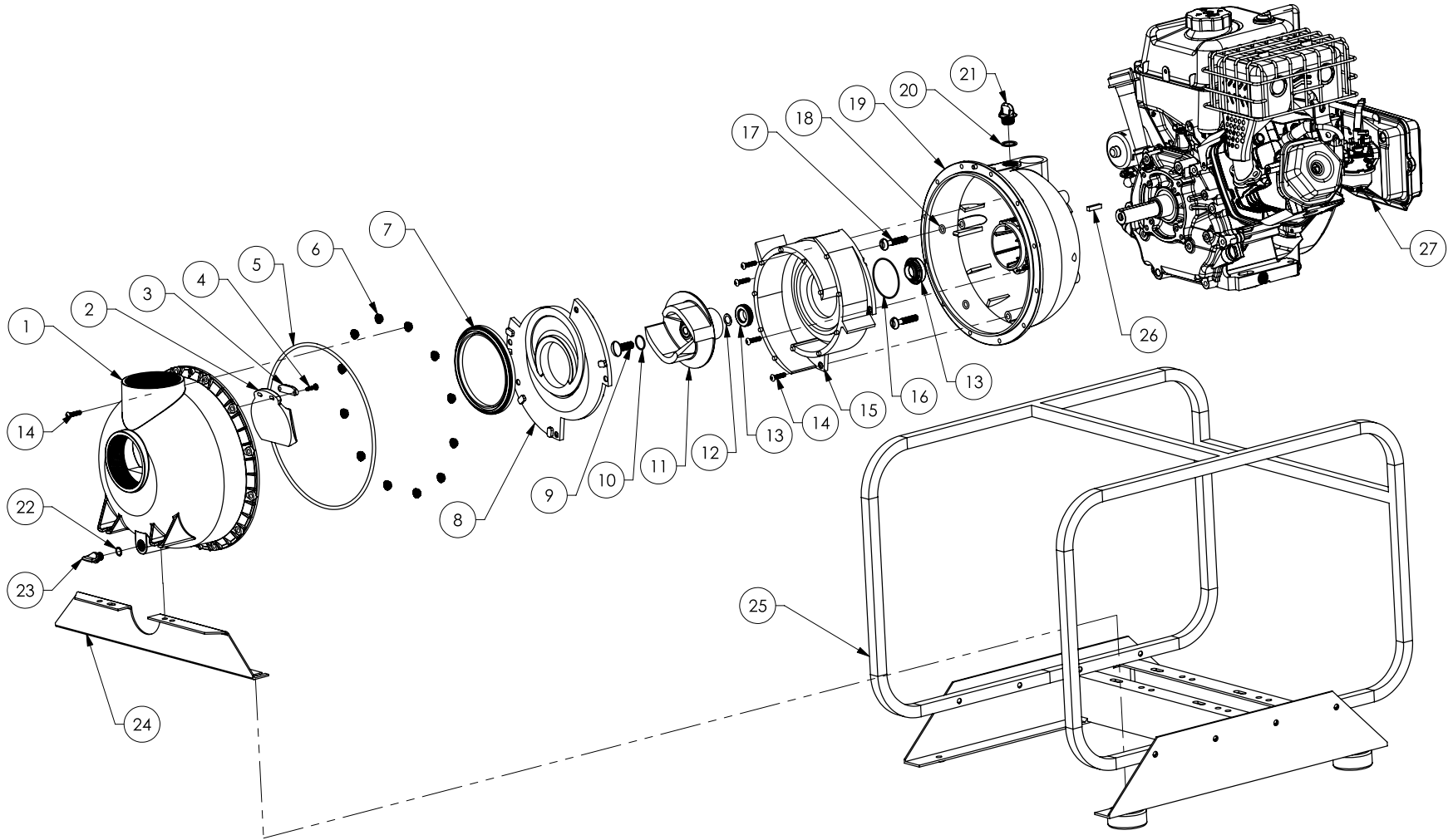


3" Self-Priming Centrifugal Pump

Model: TE3TEP-E420CC

Price Code: P-58-73T77-E420CC

Driver: LCT CMXX 420cc





3" Self-Priming Centrifugal Pump

Model: TE3TEP-E420CC

Price Code: P-58-73T77-E420CC

Driver: LCT CMXX 420cc

NO.	DESCRIPTION	QTY	PART NO.
1	Pump Body, 3" PET, Black 3" FNPT	1	58-46207-30B
2	Check Valve EPDM	1	58-46217-72
3	Retainer, PET Check Valve	1	58-46344-30
4	Screw, SS #10-14cc x 3/4 Check Valve	6	58-1348-10
5	O-Ring, Body EPDM	1	58-46304-72
6	Nut, SS 1/4"-20 Serrated Hex Flange	12	58-0721-10F
7	Suction Gasket EPDM	1	58-46206-72
8	Wearplate PET	1	58-46205-30
9	Screw, Impeller SS Round Head, 7/16-20 x 1-1/4"	1	58-46309-10
10	O-Ring, EPDM Impeller Screw	1	58-46290-72
11	Impeller PET	1	58-46214-30
12	Shim, SS .015" Impeller	As Req.	58-46338-10
13	Mechanical SS, SiC, EPDM Seal Assy.	1	58-46251-12
14	Screw, SS 1/4"-20 x 1" Button Head Cap	12	58-46269-10
15	Volute PET	1	58-46204-30
16	O-Ring, EPDM Volute	1	58-46292-72
17	Screw, SS 3/8"-16 x 1-3/4" Bracket	4	58-46308-10
18	O-Ring, EPDM Bracket Screw	4	58-46303-72
19	Bracket PET	1	58-46208-30B
20	O-Ring, EPDM Fill Plug	1	58-0765-72



3" Self-Priming Centrifugal Pump

Model: TE3TEP-E420CC

Price Code: P-58-73T77-E420CC

Driver: LCT CMXX 420cc

21	Fill Plug	PET	1	58-0722-30B
22	O-Ring, Drain Plug	EPDM	1	58-1009-72
23	Drain Plug	PET	1	58-0723-30
24	Support, Front Housing	SS	1	58-46009-S
25	Roll Cage/ Chassis Assy.	SS	As Req.	58-46009
26	Shaft Key	SS	1	58-46278
27	Motor	LCT CMXX 420cc	1	58-0420-LCT